

# TAKSTAR® 得胜



**E261W** 便携式无线扩音器  
Portable wireless amplifier

使用手册 User Manual

目录.....	1
前言.....	2
产品特性.....	2
适用范围.....	2
包装清单.....	3
技术参数.....	3-4
功能示意.....	4-6
扩音器.....	4
手持麦克风.....	5
头戴麦克风.....	6
使用说明.....	7-8
麦克风电池安装.....	7
无线播放配对.....	7
对频方法.....	7-8
音量调节方法.....	8
安全警示.....	9
关于图标含义解释.....	9
环保说明.....	10
产品服务保证卡.....	11

## ■ 前言

尊敬的用户：

感谢您选购得胜E261W手持版/头戴版便携式无线扩音器，为了您能够更好的了解及使用本产品，建议您在使用前仔细阅读本说明书。

若存在有疑问或者您有宝贵的建议，可通过拨打得胜官方服务热线400 6828 333或微信扫描二维码关注得胜官方公众号与我们联系。



## ■ 产品特性

### 手持版

- 选用稀土材质扬声器，25W大功率，音质好、声音大；
- 采用UHF无线技术，在无干扰、无障碍下使用距离约40米；
- 可调频，50个精选频道，支持多套扩音器同时使用；
- 配备无线手持麦克风，采用自动对频技术，操作简便，抗干扰强；
- 具有无线播放功能，不受线材束缚，播歌更方便；
- 扩音器内置大容量锂离子电池，使用时间约12小时；
- 配套高档铝合金箱，方便收藏及携带外出使用。

### 头戴版

- 一款便携式无线扩音器，适用于教学、导游、培训、促销等场合；
- 采用UHF无线传输技术，在空旷地带使用传输距离约40米；
- 可调频，50个精选频道，支持多套扩音器同时使用；
- 配套无线头戴麦克风，小巧轻便，满足长时间佩戴需要；
- 选用稀土材质扬声器，25W大功率，音质好、声音大；
- 具有无线播放功能，不受线材束缚，播歌更方便；
- 扩音器内置大容量锂离子电池，使用时间约12小时。

## ■ 适用范围

教学、导游、培训、促销等场合

## ■ 包装清单

### 手持版

主机(扩音器) .....	1台
手持麦克风.....	1支
Micro USB充电线.....	1条
防滑圈.....	1个
5号干电池.....	1对
说明书.....	1份
腰挂带.....	1条
便携袋.....	1个

### 头戴版

主机(扩音器) .....	1台
头戴麦克风.....	1个
Micro USB充电线.....	1条
说明书.....	1份
腰挂带.....	1条
便携袋.....	1个

## ■ 技术参数

### 主机参数

频率响应: 80Hz-18KHz

额定功率: 10W

峰值功率: 25W

扬声器阻抗: 4Ω

频率范围: 630-698MHz(分段)

通道数: 单通道

信道数: 50个

静音控制: 导频/数字ID

电池类型: 锂离子电池

电池规格: 7.4V  $\equiv$  2000mAh

充电规格: DC 5V  $\equiv$  1A

充电时间: 约4小时

使用时间: 约12小时 @60%音量

产品规格: 110x110x56.6mm

净重: 约400g

### 手持麦克风参数

拾音器: 动圈

指向性: 单指向

频率响应: 60Hz-16KHz

灵敏度:  $-55 \pm 3$ dB

(0dB=1V/Pa/m at 1KHz)

增益调节: -18dB-21dB

发射器功率:  $\leq 10$ mW

供电方式: 2节AA电池

尺寸:  $\Phi 36.5$ mmx245mm(直径x长)

净重: 约237g

## 头戴麦克风参数

拾音器：背极式驻极体

指向性：单指向

频率响应：60Hz-16KHz

灵敏度：-51至-54dB

(0dB=1V/Pa/m at 1KHz)

电池类型：锂离子电池

电池容量：3.7V $\approx$ 400mAh

充电规格：DC 5V $\approx$ 300mA

充电时间：约2小时

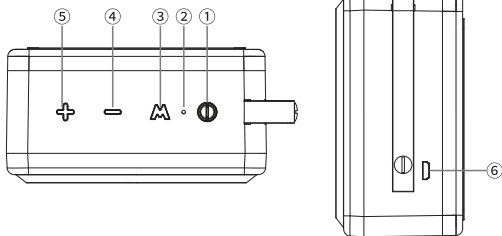
使用时间：约5小时

净重：约39g

注：以上数据由得胜实验室测得并拥有最终解释权！

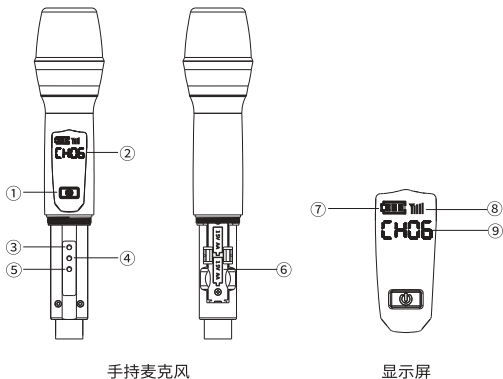
## 功能示意

### 扩音器



- ① 电源按键：长按2秒开启或关闭扩音器；开机时，指示灯长亮蓝灯，扩音器进入工作状态；
- ② 指示灯：电量不足时，长亮红灯；充电时，闪烁红灯；充满电时，长亮蓝灯；无线连接状态时，红、蓝灯交替闪烁；
- ③ “M”键：循环点按开启或关闭无线播放功能；具体操作详见“对频方法”部分；
- ④ “-”按键：点按减小扩音器音量；
- ⑤ “+”按键：点按增加扩音器音量；
- ⑥ 充电接口：连接USB数据线，请使用规范5V $\approx$ 1A且经过3C认证的充电头为扩音器充电。

## 手持麦克风

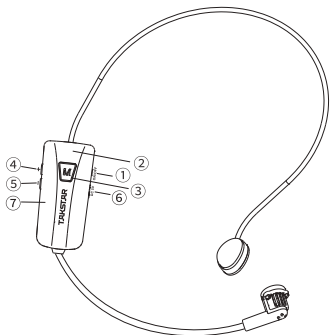


手持麦克风

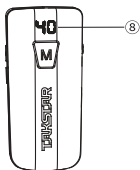
显示屏

- ① 电源按键：点按开机，长按2秒关机。开机状态下，循环点按开启或关闭“静音”功能；
- ② 显示屏：显示工作频道、麦克风音量、麦克风信号、电池电量等信息；
- ③ “CH”按键：用于对频操作，详见本说明书的“对频方法”部分；
- ④ “^”按键：点按增加麦克风音量；在对频状态下，点按切换上一个频道，长按快速跳转频道；
- ⑤ “v”按键：点按减少麦克风音量；在对频状态下，点按切换下一个频道，长按快速跳转频道；
- ⑥ 电池仓：装入两节5号干电池；
- ⑦ 电池电量：电池电量有三格，以格数的多少来表示电池电量，电量不足时，电池符号闪烁；
- ⑧ 信号符号：麦克风静音时，信号符号消失；取消静音时，信号符号恢复显示；
- ⑨ 工作频道/麦克风音量：默认显示当前麦克风工作频道，有“CH01-CH50”共50个工作频道；当调整麦克风音量时，则显示当前麦克风音量大小，有“U01-U13”共13级音量。

## 头戴麦克风



头戴麦克风



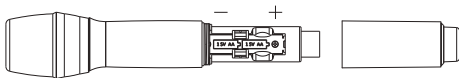
显示屏

- ① 电源开关：拨动开关至ON时开机，拨开关至OFF时关机；
- ② 显示屏：显示工作频道、麦克风音量；
- ③ M按键：用于调频操作，详见本说明书的“对频方法”部分；
- ④ “+” 按键：点按增加麦克风音量；在对频状态下，点按切换上一个频道，长按快速跳转频道；
- ⑤ “-” 按键：点按减少麦克风音量；在对频状态下，点按切换下一个频道，长按快速跳转频道；
- ⑥ 充电接口：连接USB数据线，请使用规范5V=1A且经过3C认证的充电头为扩音器充电；
- ⑦ 电源指示灯：关机未充电时，指示灯熄灭；开机时长亮蓝灯；电量充足时，指示灯常亮蓝灯；电量不足时，指示灯常亮红灯；充电过程中，闪烁红灯，充满后常亮蓝灯；
- ⑧ 工作频道/麦克风音量：默认显示当前工作频道，有“01-50”共50个工作频道；当点按音量+、-键时，则显示音量大小，有“U1-U6”共6级音量，3秒后回复正常数值；10秒后无任何操作，显示屏将自动熄灭。

## ■ 使用说明

### 麦克风电池安装

逆时针扭开麦克风尾盖，将2节5号干电池按电池仓标明的正负极性安装，注意电池极性不要装反；然后顺时针旋紧麦克风尾盖；如下图：



提示：当麦克风显示屏电量符号闪烁，显示电量不足，请及时更换电池。

### 无线播放配对

循环点按M键，开启或关闭无线播放，开机时无线播放功能默认是关闭的。首次使用本机时，需要与手机或无线播放设备配对连接，步骤如下：

1. 先长按电源按钮开启扩音器，然后点按“M”键，工作指示灯红、蓝交替闪烁，表示正在搜索配对状态；
2. 进入手机的“设置”菜单，找到无线播放功能选项，开启手机的无线播放功能，待搜索到“TAKSTAR E261W”，点击“TAKSTARE261W”进行连接，工作指示灯恢复常亮，表示连接成功。

### 对频方法

产品出厂时频率已默认配对好，开机会自动连接，无需配对。如遇有信号干扰，可按下面方法进行重新配对或变频。

手持麦克风：

#### 1. 对频方法

- ① 麦克风及接收器保持关闭状态，首先打开麦克风电源开关；
- ② 扭开麦克风尾管，长按“CH”键3秒，待显示屏频道变为“----”动态显示时，松开按键，此时立即开启扩音器电源开关开始对频。如果10秒钟内没有开启扩音器电源开关，则对频失败；



③ 对频大约在5秒钟内完成，当麦克风由“----”动态显示变为频道（CHXX）静态显示，扩音器扩音时，对频成功；

④ 如对频失败，重新按上面方法对频。

### 2. 变频方法

① 确保对频是成功状态下，分别打开发射器及接收器电源开关；

② 点按麦克风“CH”键，显示屏频道（CHXX）闪烁，进入变频状态；

③ 在8秒内点按“^”或“v”键可切换频道数值，点按“CH”键确认；

④ 如果8秒钟内没有操作“CH”确认，频率自动停止闪烁固定在当前选择的频率。

### 头戴麦克风：

#### 1. 对频方法

① 首先确保头戴麦克风及扩音器都在关机状态。然后打开头戴麦克风电源开关，长按麦克风“M”键3秒，显示屏循环转圈时松开，此时立刻打开扩音器电源，等待麦克风的显示屏从转圈变为静态数值，扩音器指示灯从蓝灯快闪变为常亮状态时，对着麦克风说话有声音，表示配对成功；如果麦克风进入对频状态后，10秒钟内没有打开扩音器电源开关，对频失败，显示屏从转圈变为静态数值；

② 对着头戴麦克风说话没声音，说明配对不成功，请按上面方法重新配对。

#### 2. 变频方法

确保在对频成功的情况下，同时打开扩音器及头戴麦克风电源开关，短按头戴麦克风上的“M”键进入变频，显示屏数值闪烁，此时点按音量+、-切换上、下频率，长按快速跳转频道，点按M键确认频率，如3秒钟无操作M键确认，频率停止闪烁固定在当前选择的频率。

### 音量调节方法

1. 手持麦克风：点按“^”增大麦克风音量，点按“v”键减小麦克风音量，显示屏“U01到U13”循环变化（13级可调）；

2. 头戴麦克风：点按“+”增大麦克风音量，点按“-”键减小麦克风音量，显示屏“U1到U6”循环变化（6级可调）；

3. 音量有记忆功能，下次开机时保持最后一次关机时的音量；

4. 停止操作音量按钮2秒钟后，自动退出，音量显示“UXX”恢复到“CHXX”频道显示状态。

## ■ 安全警示

为避免电击、高温、着火、辐射、爆炸、机械危险以及使用不当等可能造成的人身伤害或财产损失，使用本产品前，请仔细阅读并遵守以下事项：

1. 使用产品时请确认所连接设备与本产品功率是否匹配以及合理调整设备音量大小，不要在超过产品功率及大音量下长时间使用，以免造成产品异常和听力损伤；
2. 使用中若发现有异常（如冒烟、异味等），请立即关闭电源开关并拔掉电源插头，然后将产品送经销商检修；
3. 若产品需要使用可拆装电池时，严禁使用外壳绝缘材料破损的电池；请不要为非充电电池充电；
4. 废弃电池需放入指定的分类垃圾桶，不可作为儿童玩具或直接丢弃，以免造成安全隐患或影响环境；
5. 电池不得暴露在诸如日照、火烤或类似过热环境中；
6. 如果电池更换不当会有爆炸危险，只能用同样类型或等效类型的电池来更换；
7. 本产品不带电源适配器销售，消费者若使用电源适配器供电，则应购买配套使用获得CCC认证并满足标准要求的电源适配器；
8. 超过一周不使用本产品时，请取出麦克风内电池，以免电池漏液导致产品损坏；
9. 本产品及配件都应放置在室内干燥通风处，勿长期存放在潮湿、灰尘多的环境，使用中避免靠近火源，雨淋、进水、过度碰撞、抛掷、振动本机及覆盖通风孔，避免损坏其功能；
10. 若产品需要固定于墙壁或天花板上时，请确保固定到位，防止因固定强度不足导致产品发生跌落危险；
11. 使用该产品时需遵守相关安全规定，法律法规明确禁止使用场合请勿使用产品，以免导致意外事故；
12. 请不要自行拆机改装或维修，以防止出现人身伤害，如有问题或服务需求请联系当地经销商跟进处理。

## ■ 关于图标含义解释



此符号表示，根据WEEE指令(2012/19/EU)和国家法律，由于这种类型的废弃物会有潜在的有害物质，可能对环境 and 人类健康产生负面影响，所以本产品不应与

您的家庭垃圾一起处置，应将本产品交由授权的电气和电子设备(WEEE)回收站回收。同时，您在正确处理本产品的同时将有助于自然资源的利用。如需了解更多有关您可以在何处放置废物回收设备的信息，请有效联系您当地的城市办事处、废物管理局或家庭废物处理服务部门。

## ■ 环保说明

产品中有毒有害物质或元素的名称及含量标识表

部件名称	有毒有害物质或元素					
	铅 (Pb)	汞 (Hg)	镉 (Cd)	六价铬 (Cr(VI))	多溴联苯 (PBB)	多溴二苯醚 (PBDE)
塑料部件	○	○	○	○	○	○
金属部件	×	○	○	○	○	○
电路板组件	×	○	○	○	○	○
线缆	×	○	○	○	○	○

本表格依据SJ/T 11364的规定编制。

○: 表示该有害物质在该部件所有均质材料中的含量均在 GB/T 26572规定的限量要求以下。

×: 表示该有害物质至少在该部件的某一均质材料中的含量超出 GB/T 26572规定的限量要求。

此标志为产品的环保使用期限标志，

且此标保使用期限只适用于产品正常工作的温度和湿度等条件。



## 注意事项:

1. 本单为保修凭证, 请用户妥善保管, 如有遗失, 恕不保修或退换。
2. 保修期限制: 购买之日起十二个月内。
3. 除了不可抗力事件损坏外, 由本公司负责, 免费维修。
4. 如属保管不善或使用不当造成的损坏, 维修点将酌情收费。
5. 擅自拆卸维修者, 不予保修。
6. 以上保修条款仅限于中国市场适用 (不含港澳台地区)。

## 产品服务保证书

姓名: \_\_\_\_\_ 电话: \_\_\_\_\_ 地址: \_\_\_\_\_

商品: \_\_\_\_\_ 型号: \_\_\_\_\_ 购买日期: \_\_\_\_\_ 年 \_\_\_\_ 月 \_\_\_\_ 日

维修记录栏 (由维修员填写)	维修员签名	日期

◆广东得胜电子有限公司 ◆电话: 400-6828-333 ◆地址: 广东省惠州市博罗县龙溪街道富康一路2号

Content.....	12
Preface.....	13
Features.....	13
Application.....	13
Product content.....	14
Specification.....	14-15
Function instruction.....	15-17
Amplifier.....	15
Handheld microphone.....	16
Headset microphone.....	17
Instructions for use.....	18-20
Battery installation.....	18
Wireless playing matching.....	18
Frequency matching methods.....	18-20
Volume adjustment method.....	20
Safety instruction.....	21
The meaning of Icon.....	22

## ■ Preface

Dear Customer,

Thank you for purchasing TAKSTAR E261W handheld/head-mounted portable wireless amplifier. Please read the user manual carefully before operation and keep it for reference in future. If you have any questions or suggestions, please contact our local dealer.

## ■ Features

### Handheld version

- Rare earth material speaker, 25W high power, excellent sound, high volume
- UHF wireless technology, approximately 40m transmission range in open area without interference
- Adjustable frequencies, 50 selected channels available, supporting multiple amplifiers used simultaneously
- Wireless handheld microphone, automatic frequency matching technology, easy operation, strong anti-interference capability
- Wireless playing function without the trouble of cable connection, more convenient to play songs
- High capacity Li-ion battery with approximately 12h operation time
- High-end aluminum alloy box, convenient to store and carry

### Head-mounted version

- Portable wireless amplifier suitable for teaching, tour guide, training, promotion, etc.
- UHF wireless technology, approximately 40m transmission range in open area
- Adjustable frequencies, 50 selected channels available, supporting multiple amplifiers used simultaneously
- Wireless headset microphone, compact and lightweight design for long-time wearing
- Rare earth material speaker, 25W high power, excellent sound, high volume
- Wireless playing function without the trouble of cable connection, more convenient to play songs
- High capacity Li-ion battery with approximately 12h operation time

## ■ Application

Teaching, tour guide, training, promotion, etc.

## ■ Product content

### Handheld version

Amplifier.....	1pc
Handheld microphone.....	1pc
Micro USB charging cable.....	1pc
Anti Slip Roller Ring.....	1pc
AA batteries.....	2pcs
User manual.....	1pc
Strap.....	1pc
Carrying Pouch.....	1pc

### Head-mounted version

Amplifier.....	1pc
Headset microphone.....	1pc
Micro USB charging cable.....	1pc
User manual.....	1pc
Strap.....	1pc
Carrying Pouch.....	1pc

## ■ Specification

### Amplifier

Frequency Response: 80Hz-18KHz
Rated Power: 10W
Peak Power: 25W
Speaker Impedance: 4Ω
Frequency Range: 630-698MHz (frequency band)
Number of Channels: single channel
Number of Frequencies: 50

Mute Control: pilot frequency/digital ID
Battery Type: Li-ion battery
Battery Specification: 7.4V $\approx$ 2000mAh
Charging: DC 5V $\approx$ 1A
Charging Time: approx. 4h
Operation Time: approx. 12h @60% volume
Dimension: 110*110*56.6mm
Net Weight: approx. 400g

### Handheld microphone

Cartridge: dynamic
Polar Pattern: unidirectional
Frequency Response: 60Hz-16KHz
Sensitivity: $-55 \pm 3$ dB(0dB=1V/Pa/m at 1KHz)

Gain Adjustment: -18dB-21dB
Transmitter Power: $\leq$ 10mW
Power Supply: 2pcs of AA batteries
Dimension: $\Phi$ 36.5mm*245mm(Dia*L)
Net Weight: approx. 237g

## Headset microphone

Cartridge: back electret cartridge

Polar Pattern: unidirectional

Frequency Response: 60Hz-16KHz

Sensitivity: -51 to -54dB(0dB=1V/Pa/m  
at 1KHz)

Battery Type: Li-ion battery

Note: The data is tested by Takstar Laboratory and Takstar has the final interpretation right!

Battery Capacity: 3.7V $\approx$ 400mAh

Charging: DC 5V $\approx$ 300mA

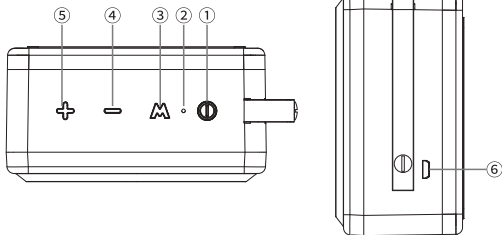
Charging Time: approx. 2h

Operation Time: approx. 5h

Net Weight: approx. 39g

## Function instruction

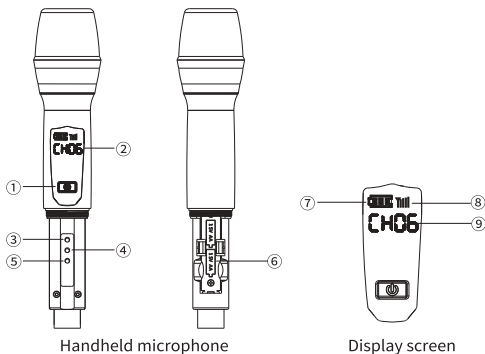
### Amplifier



- ① Power button: Long press it for 2 seconds to turn on or off the amplifier. When it is turned on, the indicator lights up blue, indicating that the amplifier enters the working state.
- ② Indicator light: When the amplifier is of low battery, it lights up red; when charging, it flashes red; when fully charged, it lights up blue; when in the state of wireless connection, it flashes red and blue alternately.
- ③ "M" button: Press it repeatedly to turn on or off the wireless playing function. Refer to the "Frequency matching methods" for details.
- ④ "-" button: Press it to decrease the volume of the amplifier.
- ⑤ "+" button: Press it to increase the volume of the amplifier.
- ⑥ Charging interface: Connect to the USB data cable. Please use a charging head with a specification of 5V $\approx$ 1A and 3C certification to charge the amplifier.



## Handheld microphone

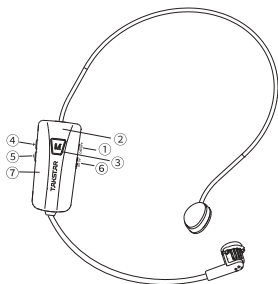


Handheld microphone

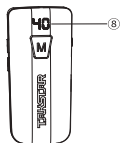
Display screen

- ① Power button: Press it to turn on the microphone; long press it for 2 seconds to turn off the microphone. In the power-on state, press it repeatedly to turn on or off the "mute" function.
- ② Display screen: Display information such as working channel, microphone volume, microphone signal, battery level, etc.
- ③ CH button: Used for frequency matching. Refer to the "Frequency matching methods" for details.
- ④ ^ button: Press it to increase the volume of the microphone. In the matching state, press it to switch to the previous channel, and long press it to quickly switch channels.
- ⑤ v button: Press it to decrease the volume of the microphone. In the matching state, press it to switch to the next channel, and long press it to quickly switch channels.
- ⑥ Battery compartment: Install two AA batteries.
- ⑦ Battery level: It has three bars, and the number of bars is used to indicate the battery level. When the battery is low, the battery symbol flashes.
- ⑧ Signal symbol: When the microphone is muted, the signal symbol disappears; when the mute function is cancelled, the signal symbol returns to display.
- ⑨ Working channel/microphone volume: The current working channel is displayed by default, and there are totally 50 working channels "CH01-CH50". When the microphone volume is adjusted, the current microphone volume is displayed, and there are totally 13 levels of volume "U01-U13".

## Headset microphone



Headset microphone



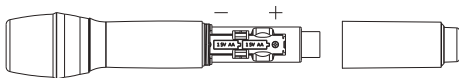
Display screen

- ① Power switch: The microphone is turned on when the switch is in the ON position, and the microphone is turned off when the switch is in the OFF position.
- ② Display screen: Display working channel and microphone volume.
- ③ M button: Used for frequency matching. Refer to the "Frequency matching methods" for details.
- ④ + button: Press it to increase the volume of the microphone. In the matching state, press it to switch to the previous channel, and long press it to quickly switch channels.
- ⑤ - button: Press it to decrease the volume of the microphone. In the matching state, press it to switch to the next channel, and long press it to quickly switch channels.
- ⑥ Charging interface: Connect to the USB data cable. Please use a charging head with a specification of 5V=1A and 3C certification to charge the amplifier.
- ⑦ Power indicator: When the microphone is turned off and not charging, the indicator lights off; when the microphone is turned on, the indicator lights up blue; when the battery is full, the indicator always lights up blue; when the battery is low, the indicator always lights up red; during charging, the indicator flashes red, and lights up blue when fully charged.
- ⑧ Working channel/microphone volume: The current working channel is displayed by default, and there are totally 50 working channels "01-50". When you press the volume + and - buttons, the volume is displayed and returns to normal value after 3 seconds; there are totally 6 levels of volume "U1-U6". After 10 seconds without any operation, the display screen will automatically go out.

## ■ Instructions for use

### Battery installation

Open the tail cover of the microphone counterclockwise, install 2 AA batteries according to the positive and negative polarity marked on the battery compartment (pay attention not to install the batteries reversely), and tighten the tail cover of the microphone clockwise as shown below.



Tip: When the battery indicator on the microphone display flashes, it means that the batteries are running low. Please replace them in time.

### Wireless playing matching

Press the M button repeatedly to turn on or off the wireless playing function. The wireless playing function is off by default when the amplifier is turned on. When the amplifier is used for the first time, it needs to connect to a mobile phone or wireless playing equipment. The steps are as follow.

1. Long press the power button to turn on the amplifier, and then press the "M" button. The working indicator flashes red and blue alternately, indicating that it is in the state of searching and matching.
2. Enter the "Settings" menu of the mobile phone, find the option of wireless playing function, and turn on the wireless playing function of the mobile phone. After searching for "TAKSTAR E261W", tap "TAKSTAR E261W" to connect, and the working indicator will be on again, indicating that the connection is successful.

### Frequency matching methods

The frequency has been matched by default when the product leaves the factory. It will automatically connect when turned on without frequency matching. In case of signal interference, you can try frequency matching again or frequency conversion according to the following methods.

### Handheld microphone

#### 1. Frequency matching method

- ① The microphone and the receiver are turned off. First, turn on the power switch of the microphone.
- ② Open the tail cover of the microphone and long press the "CH" button for 3 seconds. When the channel on the display screen changes to "----" dynamic display, release the button, and immediately turn on the power switch of the amplifier to start frequency matching. If the power switch of the amplifier is not turned on within 10 seconds, the matching fails.
- ③ Frequency matching is completed in about 5 seconds. When "----" dynamic display on the microphone changes to channel (CHXX) static display, and the sound is amplified, it indicates that the matching is successful.
- ④ If the matching fails, repeat the above steps.

#### 2. Frequency conversion method

- ① Turn on the power switches of the transmitter and the receiver when the matching is successful.
- ② After the "CH" button of the microphone is pressed, the channel (CHXX) on the display screen flashes and the microphone enters the state of frequency conversion.
- ③ Press the "^" or "v" button within 8 seconds to switch channels, and press the "CH" button for confirmation.
- ④ If you do not press the "CH" button for confirmation within 8 seconds, the frequency will automatically stop flashing and the currently selected frequency will be fixed.

### Headset microphone

#### 1. Frequency matching method

- ① First, make sure that the headset microphone and the amplifier are turned off. Then, turn on the power switch of the headset microphone, long press the "M" button for 3 seconds, and release it when the display turns into a circle. At this time, turn on the amplifier immediately. When the display on the microphone changes from a circle to a static value, and the indicator light of the amplifier changes from a fast flashing blue light to a steady blue light, speak into the microphone. If there is sound output, it indicates that the matching is successful. If the power switch of the amplifier is not turned on within 10 seconds after the microphone enters the matching state, the matching fails and the display changes from a circle to a static value.
- ② If there is no sound output when you speak into the headset microphone, it indicates that the matching is unsuccessful. Please try again by repeating the above steps.

### 2. Frequency conversion method

In the case of successful matching, turn on the power switches of the amplifier and the headset microphone at the same time, and press the "M" button to enter the state of frequency conversion. At this time, the value on the display screen flashes. Then, you can press the volume "+" / "-" to switch to the previous/next frequency, long press it to quickly switch channels, and press the "M" button to confirm the frequency. If you do not press the "M" button for confirmation within 3 seconds, the frequency will stop flashing and the currently selected frequency will be fixed.

### Volume adjustment method

1. Handheld microphone: Press the "^" button to increase the microphone volume and the "v" button to decrease it. The display screen changes from "U01" to "U13" circularly (13 levels adjustable).
2. Headset microphone: Press the "+" button to increase the microphone volume and the "-" button to decrease it. The display screen changes from "U1" to "U6" circularly (6 levels adjustable).
3. The volume has the memory function. The volume displayed when the microphone is turned on is the volume displayed at the last shutdown.
4. If the volume button is not pressed for over 2 seconds, it will automatically exit, and the volume display "UXX" will return to the channel display "CHXX".

### ■ Safety instruction

In order to avoid possible personal injury or property damage caused by electric shock, high temperature, fire, radiation, explosion, mechanical hazards and improper use, please read and observe the following items carefully before using the product.

1. When using the product, please confirm whether the power of the connected device matches the power of the product, and adjust the volume of the device. Do not use it for a long time when the power of the product is exceeded or at a high volume to avoid product failure and hearing damage.
2. If there is any abnormality (such as smoke, odor, etc.) during use, please turn off the power switch and unplug the power plug immediately, and then send the product to the dealer for maintenance.
3. If the product needs to use removable batteries, it is strictly forbidden to use batteries with damaged insulation materials. Please do not charge non-rechargeable batteries.
4. Discarded batteries must be placed in designated classified garbage bins, and cannot be used as children's toys or discarded directly to avoid potential safety hazards or environmental impact.
5. The battery must not be exposed to sunlight, fire or other overheating environments.
6. There is a danger of explosion if the battery is replaced incorrectly. Only the same or equivalent type of battery can be used for replacement.
7. The product is sold without a power adapter. If you use a power adapter to supply power, you should purchase and use a power adapter that has obtained CCC certification and meets the standard requirements.
8. If you don't use the product for more than a week, please take out the battery to avoid product damage due to battery leakage.
9. The product and accessories should be placed indoors in a dry and ventilated place. Do not store them in a humid and dusty environment for a long time. Avoid getting close to fire, rain, water, excessive collision, throwing, vibrating the machine and covering the ventilation holes during use, so as not to damage its function.
10. If the product needs to be fixed on the wall or ceiling, please make sure to fix it in place to prevent it from falling down.
11. When using the product, you must abide by the relevant safety regulations. Please do not use the product in the occasions that are clearly prohibited by laws and regulations to avoid accidents.
12. Please do not disassemble, refit or repair the product by yourself to prevent personal injury. If you have any questions or service needs, please contact the local dealer for follow-up.

### ■ The meaning of Icon



This symbol indicates that according to the WEEE Directive (2012 / 19 / EU) and national laws, this product should not be disposed of together with your household waste, and should be returned to an authorized recycling station of electrical and electronic equipment (WEEE) for recycling, because this type of waste has potential harmful substances that may have a negative impact on the environment and human health. Meanwhile, when this product is disposed of properly, it is conducive to the effective use of natural resources. For more information on where you can place your waste recycling equipment, please contact your local City Office, Waste Management Bureau or Household Waste Treatment Service Department.



扫一扫，了解更多产品  
Scan for more  
product information

## **广东省电声工程技术研究开发中心 广东得胜电子有限公司制造**

地址：广东省惠州市博罗县龙溪街道富康一路2号  
服务热线：400 6828 333 传真：0752-6383950  
邮箱：xs@takstar.com  
网址：www.takstar.com

Guangdong Takstar Electronic Co., Ltd.  
Address: No. 2 Fu Kang Yi Rd., Longxi Boluo  
Huizhou, Guangdong 516121 China  
Tel: 86 752 6383644 Fax: 86 752 6383952  
Email: sales@takstar.com  
Website: www.takstar.com  
CMIIT ID: 2021DP3041 中国制造 Made in China

9TE261WS1C